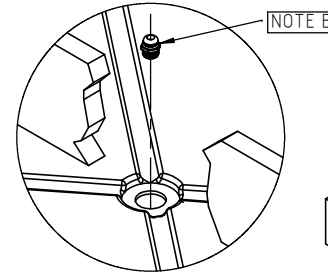
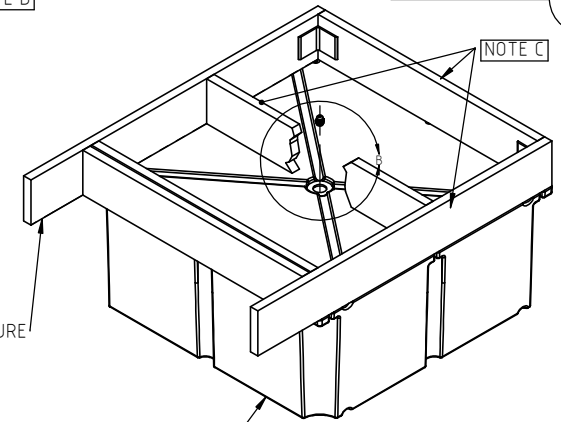


DETAIL D  
SCALE 1 : 3



DETAIL B  
SCALE 1 : 8



ACE FLOAT

**HANDLING AND INSTALLATION OF ACE FLOAT DRUMS**

**A.) Storage:**

1. Store float drum upside down and off the ground with plug hole facing down.
2. Do not store float drum with vent plugs inserted in areas of direct sunlight or hot temperatures.
3. Dropping float drum may result in damage, especially in cold weather.
4. Do not stack over ten feet high.

**B.) Vent Plug Insertion:**

1. Do not insert vent plug until you are ready to use float drum.
2. Before inserting vent plug, make sure to drain the float drum of any water that might have seeped through the plug hole.
3. Apply silicone or pipe sealer on vent plug to keep the inside of the float drum waterproof.
4. Use a 5/16 inch allen wrench to insert vent plug.
5. Thread vent plug in float drum until the top of the plug is level with the top of the float drum.

**C.) Frame Support:**

1. The dock frame must support both sides and ends of float drum.
2. Minimum frame support of float drum must be every 48 x 48 or every sixteen square feet.


**D.) Attachment:**

1. All mounting slots of float drum must be bolted or lagged to the frame if dock is exposed to strong wave action.
2. Float drums that are four feet long (or less) must be attached to the frame by using at least four mounting slots.
3. Float drums over four feet long must be attached to the frame by using at least six mounting slots.
4. Minimum of 3/8 inch dia. bolts or lag screws with flat washers are required.
5. Bolts, lag screws, washers and lock nuts must be galvanized or stainless steel.

**E.) Installation & Removal of Dock:**

1. When installing or removing dock, lift the dock sections - do not slide! Sliding float drums may result in puncturing or wearing a hole in the wall of the float drum.
2. In areas where severe ice movement occurs, docks must be removed during winter months.

For questions or additional information on the use of the ACE Float Drums, please call 1-800-342-3408 or 712-752-8432 or contact us at [www.acefloatdrums.com](http://www.acefloatdrums.com)

				DRAWN / DATE ADH 1/10/12	MATERIAL	 <b>Den Hartog</b> INDUSTRIES, INC. <small>See Rotomold Injection Molding Wire Welding Resin</small> 4010 HOSPERS DRIVE S. BOX 425, HOSPERS, IOWA 51238-0421
				APPROV / DATE REH 1/10/12		
REV	DESCRIPTION	BY / DATE	CCN	NOTES:		DESCRIPTION HANDLING AND INSTALLATION OF ACE ROTO-MOLD FLOAT DRUMS
ALL DIMENSIONS ARE IN DECIMAL INCHES TOLERANCES UNLESS OTHERWISE SPECIFIED				SHOT WEIGHT:	SCALE N.S.	
POLYETHYLENE		METAL		SHIPPING WEIGHT:	PART NO. 19526	
±1% @ 68°F		DECIMAL = .125" FRACTIONS = 1/16" ANGLE ± 1°		FINISH:		
		THIRD ANGLE PROJECTION ANSI 14.5M		