



Fendering & Pile Caps

EDGEPRO DOCK BUMPER

All sizes come in 10' lengths White.

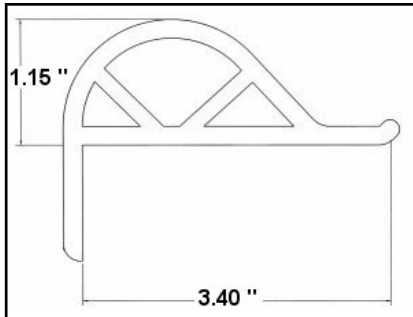
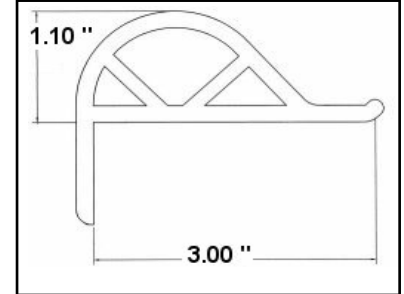
Available in Black on Special Order

5001

Heavy duty, three channel design with 90 degree lip. Mounts Horizontally.

Horizontally.

10 pcs/box - 1 lb/ft



5002

Larger version of #5001.

Mounts horizontally

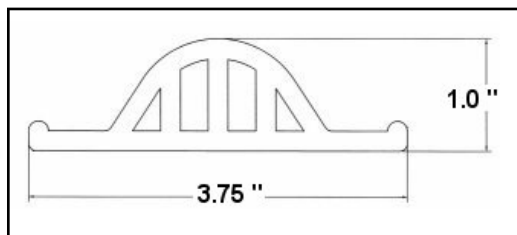
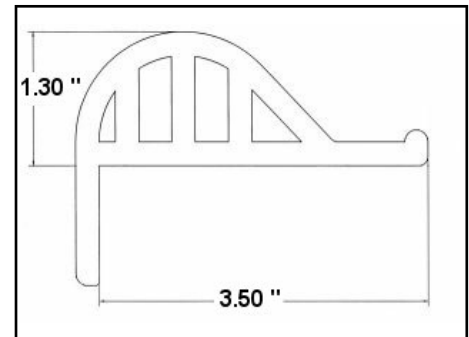
8 pcs/box - 1.5 lbs/ft

5006

Extra rugged, four channel design with extended 90 degree lip. Mounts Horizontally.

Horizontally.

6 pcs/box - 1.8 lbs/ft



5007

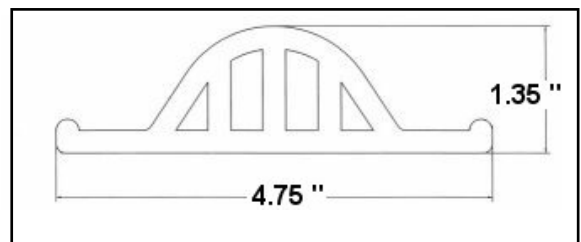
Sturdy, four channel design which mounts horizontally or vertically.

8 pcs/box - 1.1 lbs/ft

5008

Larger version of #5007. Mounts Horizontally or vertically.

6 pcs/box - 1.8 lbs/ft





Fendering & Pile Caps



ALL PILE CAPS ARE OFFERED IN BLACK & WHITE

<u>MODEL#</u>	<u>SIZE</u>	<u>WEIGHT</u>	<u>CONE</u>	<u>SQUARE</u>
PCR-7	7" Dia.	1 lbs.	X	
PCR-8	8" Dia.	1 lbs.	X	
PCR-9	9" Dia.	1 lbs.	X	
PCR-10	10" Dia.	1 lbs.	X	
PCR-11	11" Dia.	1 lbs.	X	
PCR-12	12" Dia.	1 lbs.	X	
PCR-13	13" Dia.	1 lbs.	X	
PCR-14	14" Dia.	2 lbs.	X	
PCR-15	15" Dia.	2 lbs.	X	
PCR-16	16" Dia.	2 lbs.	X	
PCS-8	8" Sqr.	1 lbs.		X
PCS-10	10" Sqr.	2 lbs.		X
PCS-12	12" Sqr.	2 lbs.		X
PCS-14	14" Sqr.	2 lbs.		X
PCS-16	16" Sqr.	2 lbs.		X



Fendering & Pile Caps

PILE CAPS PHYSICAL PROPERTIES

<u>PROPERTY</u>	<u>NORM VALUE</u>	<u>UNITS</u>	<u>ASTM TEST METHOD</u>
Density	0.948	g/cm ³	D1505
Melt Index	8.0	g/10 min.	D1238
Tensile Strength @ Break	3,800	psi	D638
Elongation @ Break	970	0/0	D638
Flexural Modulus	145,000	psi	D790
Tensile Impact	3,800	ft.-lb./in.	D1822
Low Temp. Brittleness	less than -76	0 deg. C	D746
Vicat Softening	123	0 deg. C	D1525
Hardness, Shore D	65		D2240

Corner Bumper

Premier's universal dock corners are made of long lasting and durable marine PVC; only Available in white at two standard sizes - 6" and 10" (A).

