



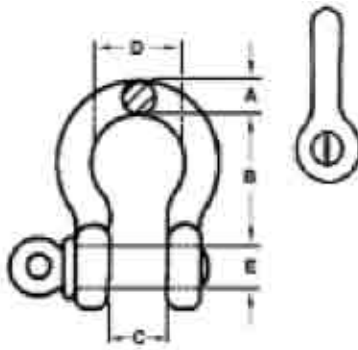
# Chain & Shackles



Mooring chain grade 43 has long links to accommodate a shackle at any point on the chain. Standard Finish - Hot Galvanized, Imported

Nominal Size		Inside Dimensions (max.)				Working Load Limit		Weight per 100 ft.	
in.	mm.	Length		Width		kg.	lbs.	kg.	lbs.
		in.	mm.	in.	mm.				
3/8"	10	1.63	41.5	0.66	16.8	1837	4050	66.2	146
1/2"	13	2.02	51.3	0.88	22.4	3129	6900	115.7	255
5/8"	16	2.55	64.8	0.94	23.9	4422	9750	171.4	378
3/4"	20	2.99	76.0	1.05	26.7	5261	11600	239.5	528

## Galvanized Shackles

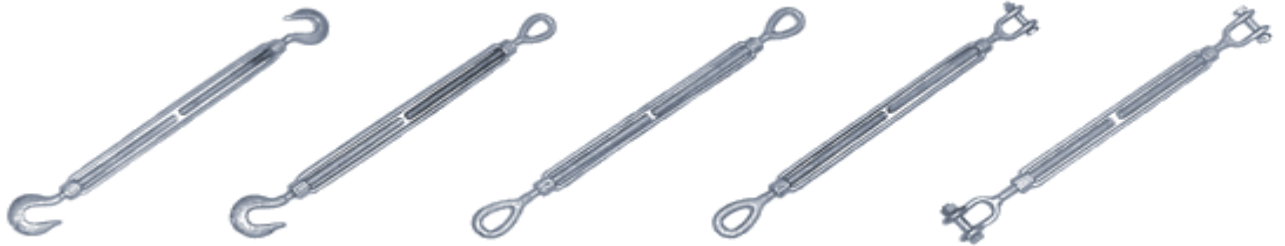


- Marked with Size & Working Load Limit in Tons
- Average Breaking Strength is 6 Times Working Load Limit
- Forged Heat Treated with Alloy Pins

Nominal Shackle Size (A)	Working Load Limit (lbs)	Dimensions In Inches				Approx. Weight Per Piece (lbs)
		Inside Length (B)	Inside Width		Diameter	
			At Pin (C)	At Bow	Pin (E)	
3/8"	2000	1 7/16"	21/32"	15/16"	7/16"	.30
7/16"	3000	1 11/16"	23/32"	1 1/16"	1/2"	.49
1/2"	4000	1 7/8"	13/16"	1 3/16"	5/8"	.74
5/8"	6500	2 13/32"	1 1/16"	1 1/2"	3/4"	1.44
3/4"	9500	2 27/32"	1 1/4"	1 3/4"	7/8"	2.16
1"	17,000	3 3/4"	1 11/16"	2 5/16"	1 1/8"	5.3



# Galvanized Turnbuckles



Size	Overall Length (Average) Ends Closed	Approximate Weight Per Piece (lbs)			Working Load Limit (lbs)	
		Eye/Eye Hook/Hook Hook/Eye	Jaw/ Eye	Jaw/ Jaw	Hook/Hook Hook/Eye	Eye/Eye Jaw/Eye Jaw/Jaw
1/4"X4"	8-1/4"	0.3	0.32	.36	300	500
5/16"X4-1/2"	9-9/16"	0.47	0.47	.52	500	700
3/8"X6"	11-7/8"	0.75	0.76	0.81	700	1,040
1/2"X6"	13-5/16"	1.6	1.53	1.5	1,040	1,800
1/2"X9"	16-5/16"	1.83	1.71	1.74	1,040	1,800
1/2"X12"	19-5/16"	2.08	2.06	2.4	1,040	1,800
5/8"X6"	15-1/2"	2.75	2.35	2.72	1,600	2,700
5/8"X9"	18-1/2"	3.13	3.06	3.24	1,600	2,700
5/8"X12"	21-1/2"	3.5	3.78	3.74	1,600	2,700
3/4"X6"	17"	3.89	4	4.11	2,000	4,000
3/4"X9"	20"	4.61	4.75	5.1	2,000	4,000
3/4"X12"	23"	5.43	5.36	6.15	2,000	4,000
3/4"X18"	29"	7.25	7	7	2,000	4,000
7/8"X12"	25-1/4"	8.1	8	8.17	2,400	5,800
7/8"X18"	31"	9.95	9.75	9.96	2,400	5,800
1"X6"	20-5/8"	9.33	8.92	8.5	2,900	7,600
1"X12"	26-5/8"	11.5	11.2	12	2,900	7,600
1"X18"	32-5/8"	14	13.3	14	2,900	7,600
1"X24"	38-5/8"	17.25	17	17	2,900	7,600
1-1/4"X12"	30"	19	20	21.5	4,600	12,000
1-1/4"X18"	36"	23	24.18	24.25	4,600	12,000
1-1/4"X24"	42"	27	28.5	28	4,600	12,000
1-1/2"X12"	32-1/4"	27.5	28.99	30.5	7,200	17,000
1-1/2"X18"	38-1/4"	31	35	36.75	7,200	17,000
1-1/2"X24"	44-1/4"	37.5	39.18	40.67	7,200	17,000
1-3/4"X18"	43"	52.5	53.75	54	--	23,000
1-3/4"X24"	49"	58	60.68	63.36	--	23,000
2"X24"	55"	85.25	89	94.25	--	30,000



# Galvanized Eye Bolts



Shank Diameter & Length	Length of Thread	Eye Diameter		Working Load Limit (lbs)	Approx. Weight Per Piece (lbs)
		I.D.	O.D.		
1/4"X2"	1-1/2"	1/2"	1"	500	0.08
1/4"X4"	2-1/2"	1/2"	1"	500	0.12
5/16"X2-1/4"	1-1/2"	5/8"	1-1/4"	800	0.13
5/16"X4-1/4"	2-1/2"	5/8"	1-1/4"	800	0.25
3/8"X2-1/2"	1-1/2"	3/4"	1-1/2"	1,200	0.23
3/8"X4-1/2"	2-1/2"	3/4"	1-1/2"	1,200	0.3
3/8"X6"	2-1/2"	3/4"	1-1/2"	1,200	0.35
1/2"X3-1/4"	1-1/2"	1"	2"	2,200	0.5
1/2"X6"	3"	1"	2"	2,200	0.66
1/2"X8"	3"	1"	2"	2,200	0.82
1/2"X10"	3"	1"	2"	2,200	0.88
1/2"X12"	3"	1"	2"	2,200	1.14
1/2"X15"	4"	1"	2"	2,200	1.17
5/8"X4"	2"	1-1/4"	2-1/2"	3,500	1.03
5/8"X6"	3"	1-1/4"	2-1/2"	3,500	1.18
5/8"X8"	3"	1-1/4"	2-1/2"	3,500	1.35
5/8"X10"	3"	1-1/4"	2-1/2"	3,500	1.54
5/8"X12"	4"	1-1/4"	2-1/2"	3,500	1.67
5/8"X15"	5"	1-1/4"	2-1/2"	3,500	2.01
3/4"X4-1/2"	2"	1-1/2"	3"	5,200	1.69
3/4"X6"	3"	1-1/2"	3"	5,200	1.85
3/4"X8"	3"	1-1/2"	3"	5,200	2.08
3/4"X10"	3"	1-1/2"	3"	5,200	2.35
3/4"X12"	4"	1-1/2"	3"	5,200	2.58
3/4"X15"	5"	1-1/2"	3"	5,200	2.98
7/8"X5"	2-1/2"	1-3/4"	3-1/2"	7,200	2.7
7/8"X8"	4"	1-3/4"	3-1/2"	7,200	3.08
7/8"X12"	4"	1-3/4"	3-1/2"	7,200	4
1"X6"	3"	2"	4"	10,000	4.21
1"X9"	4"	2"	4"	10,000	4.69
1"X12"	4"	2"	4"	10,000	5.4
1"X18"	7"	2"	4"	10,000	6.5
1-1/4"X12"	4"	2-1/2"	5"	15,200	9
1-1/4"X20"	6"	2-1/2"	5"	15,200	12.1



# Galvanized Eye Nuts



Size	Pitch	Work Load Limit (lbs.)	Weight (lbs.)
1/4"	20	520	0.09
5/16"	18	840	0.09
3/8"	16	2700	0.25
7/16"	14	1700	0.31
1/2"	13	2700	0.23
5/8"	11	5000	0.56
3/4"	10	5000	0.55
7/8"	9	10000	2.13
1"	8	10000	3.1
1 1/4"	7	29400	6.25



## **Dock Washers Galvanized**

We currently offer dock washers at 1/2", 5/8", 3/4", 7/8", and 1".

## **Threaded Rod**

Hot Dipped Galvanized Threaded Rod sold by the foot up to 6 foot Lengths. We offer from 3/8" to 1 1/2" in diameter. All course thread.



Stainless Steel Course Threaded Rod sold by the foot up to 6 foot Lengths. We offer from 1/4" to 1 1/2" in diameter.